

Models 300 & 550
Fuel Service Cart
Model Year: 2008



***** Important *****
Read User's Manual Completely Prior to Operating, Towing, or Servicing Cart



Par-Kan Company
2915 West 900 South
Silver Lake, IN 46982

Phone: 1-800-291-5487
Phone: 260-352-2141
Fax: 260-352-2141

Contact: Sales Department
Email: GSE_Sales@par-kan.com
Website: www.par-kan.com



FSC-300 & FSC-550

CUSTOMER: _____

SERIAL # _____

MANUFACTURING DATE: - _____



FSC-300 & FSC-550 Manual Table of Contents

Page 1	Cover Page
Page 2	Unit Information
Page 3	Table of Contents
Page 4	Manual Introduction
Page 5	Warning
Page 6	Warranty Information
Page 7-8	General Information
Page 9	Operating Instruction
Page 10	Safety Precautions
Page 11-12	Maintenance & Overhaul
Page 13	Troubleshooting
Page 14	Illustrated Parts Listing
Page 15-16	Lower 5th Wheel Standard Axle
Page 17	Spindle & Hub
Page 18-20	Lower 5th Wheel Torsion
Page 21-24	Replacement Parts
Page 25-27	Plumbing Diagram
Page 28	Electrical
Page 29	Decal Package
Page 30	Contact Information

Note: This manual supersedes any other information supplied by Par-Kan Company before this date, and is good only for serial numbers listed in the manual.



FSC-300 & FSC-550

INTRODUCTION TO YOUR FUEL SERVICE CART MODEL FSC

This manual incorporates information for Par-Kan Company's (Ground Support Equipment Division) FSC, it includes general information, operation, maintenance, overhaul and illustrated parts lists. This manual replaces all Par-Kan Company's Fuel Service Cart manuals previously issued in their entirety.

This manual is a compilation of the best information available at the time of writing. If errors or misinformation are found, change requests should be submitted in writing to the manufacturer.

If you have any questions about this product or would like further information about Par-Kan Company's Ground Support Equipment please contact the manufacturer.

Manufacturer:

Par-Kan Company
Ground Support Equipment Division
P.O. Box 219, 2915 W. 900 S.
Silver Lake, IN 46982 U.S.A.
(260) 352-2141 (260) 352-0701 Fax

WARNING

**THIS UNIT COMES
EQUIPPED WITH A STATIC
GROUND BONDED HOSE AND
STATIC GROUND CABLE REEL!!**

*THE STATIC CABLE MUST BE
ATTACHED TO
THE FUELED UNIT BEFORE
BEGINNING FUELING PROCESS!!*

**THIS UNIT IS DESIGNED FOR USE AS A
RAMP EQUIPMENT FUELING DEVICE
OR
A WASTE FUEL CONTAINER ONLY!**



Par-Kan Company - Ground Support Equipment
Model FSC-300 & FSC-550 Warranty

Par-Kan Company's Ground Support Equipment is warranted to the original purchaser to be free from defects in material and workmanship for a period of one year from the date of purchase as dated on Par-Kan's original invoice.

Par-Kan will replace during the warranty period, subject to an examination by an authorized representative of Par-Kan, any warranted part which proves defective in material and/or workmanship under normal installation, use, and service. Parts must be returned, and transportation charges prepaid to our factory. Any damage to Par-Kan equipment as a result of modifications, misuse, abuse, neglect, accident, vandalism, fire, flood, other acts of God, or improper installation will void this warranty.

If Par-Kan receives notice of such defects during the warranty period, Par-Kan will either, at its option, repair or replace products which prove to be defective. Other manufacturer's warranties may apply for parts purchased by Par-Kan. Par-Kan Company makes no other warranty, either expressed or implied, with respect to this product. Any special, incidental, or consequential damages arising from any breach of warranty are specifically excluded hereunder.



**FSC-300 & FSC-550
General Information**

Steering.....	Fifth Wheel Steering (Ball Bearing)
Wheels.....	5 Bolt 4-1/2" B.C. One Piece Rim Hub Assembly: Load Capacity Each 2,900 lbs. Removable Spindles: 1-3/4" Diameter Tire Size: 5.70 x 8.00 Pneumatic
Parking Brakes	Tow Bar Activated Friction Brake
Tow Bar.....	2-1/2" (I.D.) Tow Bar Lunette 5 Ton Capacity
Finish.....	Standard White Enamel Finish
Reflectors	2-7/8" Diameter, At Front, Rear & Sides D.O.T. Approved
Cart Design.....	12 GA Bed & Reinforcement Channels 12GA Containment Tank
Tank Design	12GA Steel
Pump (standard)	Rotary Hand Pump @100RPM = 1/2 Gallon per revolution
Safety Equipment (Standard).....	ABC Fire Extinguisher Static Ground Reel
Options	Access Door Safety Funnel Purple "K" Fire Extinguisher 12volt Pump Manual Hose Reel Fuel Gauge (Top Mount) Baffled Tanks Tires / Rims



**FSC-300 & FSC-550
General Information**

DIMENSIONS: (Approx. Over All Basic body dimensions, 5.70 X 8.00 Tires, Fixed Axle)	FSC-300 Length: 109” Width: 51” Height: 68”	FSC-550 Length: 129” Width: 59” Height: 76”
EMPTY WEIGHT: (Approx.)	1,526	1,738
TANK CAPACITY: (U.S.A. Gallons)	300	550
PUMP FLOW RATE: Rotating Hand Pump Fill Rite, 12VDC	@ 100rpm = 1/2 Gallon per revolution 15gpm	

SPEED LIMIT:
Towing speed should not exceed 15 mph under ideal conditions.

SECTION 5 SHIPPING
As per customers’ request.

- SECTION 6 STORAGE**
When storing the unit for an extended period of time, the following procedures are suggested.
- ✓ Touch up all worn or damaged paint.
 - ✓ Perform the maintenance procedures.
 - ✓ Lift and block unit with tires lifted off the ground.
 - ✓ Remove battery (if applicable)
 - ✓ Clean tank (Chapter 2 –disinfecting system)
 - ✓ Drain meter, lines, tank
 - ✓ Store motor/pump in accordance with motor/pump manufacturers instructions



**FSC-300 & FSC-550
OPERATING INSTRUCTION**

1. Check to ensure that the unit is unplugged from power source, (if applicable) & all hoses and caps are secured.
2. Release the parking brake by pushing the tow bar back toward the unit and lifting up the brake latch with foot, the brake will release as the tow bar is lowered into a horizontal position. **Do not drop the tow bar.**
3. Pin the tow bar to the towing vehicle. The tongue should be securely attached to the vehicle using all safety devices to ensure that the unit does not disconnect from the tow vehicle.
4. Tow the unit to the desired location, turn the tow vehicle engine off and set the parking brake. Chock FSC wheels to prevent rolling of fueling cart. ***Keep in mind the positioning of FSC to make sure that access to the fire extinguisher(s) is available!***

**CAUTION:
DO NOT EXCEED 15MPH**

5. Fasten static ground reel to appropriate point on fueled unit.

**CAUTION:
STATIC GROUND REEL MUST BE IN GOOD WORKING
ORDER AND USED ON EVERY SERVICE. NOT USING STATIC GROUND REEL
SAFETY EQUIPMENT COULD CAUSE AN EXPLOSION OR SERIOUS INJURY**

Reset meter on FSC and open tank ball valve. Remove the fill hose from the FSC. Dispense the desired amount of fuel into the fueled unit being careful not to overfill unit.

**CAUTION:
POINT HOSE AWAY FROM BODY WHEN REMOVING /
MOVING FILL NOZZLE, THE HOSE MAY BE UNDER PRESSURE**

When transfer is complete remove nozzle and store in the holding tube on the FSC. Be sure not to allow the FSC's fuel hose to hang outside the containment tank. Ensure that all caps are securely installed back on unit(s) and that the access panel or panels have been secured. Check to ensure that all hoses & cables have been disconnected and properly stored. Motor (If applicable) is turned off, and that all access door(s) on FSC are closed prior to moving unit. Turn the tank ball valve to the "OFF" position. Remove chock & store inside containment tank.

6. Tow the FSC to designated parking area, and disconnect the tow bar from the towing vehicle.
To activate the parking brake push tow bar up and towards unit until the brake latches. When tow bar is in the vertical position the parking brake is set. Plug the unit back into power source, (if applicable), and check indicator lamp on battery charger to ensure power is being received.



FSC-300 & FSC-550 Safety Precautions

Towing:

- The FSC cart is designed for aircraft ramp use only, it is not intended for highway or offroad use. Towing speed should not exceed 15mph. When traveling over rough surfaces or turning, speeds should be reduced. Always stow hoses, install caps, close and secure all doors prior to moving unit.
- The fuel shut off valve should be turned to the “OFF” position when the pump is not in use.

Parking:

- When the unit is parked the tow bar should be latched in the upright, vertical, position to engage the parking brake. If unit is not connected to the tow vehicle the parking brake must be set to prevent the unit from rolling. For longer term parking use chocking.

Operating:

- Before moving unit ensure that the power supply has been disconnected from the outlet, (if applicable). When moving the unit by hand use caution, especially in wet conditions. The brakes on the FSC depend on friction between the brake bar and tire, wet conditions will require a greater braking distance.
- FSC's with the optional 12/110 volt pump should be operated standing on the ground and not standing on containment tank or other unit.

Fueling:

- Make sure that static ground reel is connected to equipment being fueled before use.
- Never fill service cart while in use.
- Refer to motor manufacturers owners manual for type of fuel, fueling procedure, and for additional precautionary measures.
- The fuel service cart should not be hooked up to any vehicle or equipment that is being used to jump start or tow other vehicles or equipment.

Sanitation:

- The tank, filter and delivery system should be checked daily for leaks & contaminants.



FSC-300 & FSC-550 Maintenance and Overhaul

Servicing

Proper maintenance is an essential part of a long life for the FSC. As with any equipment the cart requires inspections, lubrications and adjustments to keep it in good condition while providing maximum protection for the equipment.

**WARNING:
BEFORE REMOVING OR INSTALLING ANY
COMPONENTS, BE SURE THE UNIT IS ON HARD, LEVEL GROUND
WITH THE WHEELS SECURELY BLOCKED.**

Wheels and Tires:

Check the tire pressure weekly while visually checking tires with every use. The proper pressure is labeled on the tire. Check and adjust the wheel bearings during the first few days of operation.

To tighten wheel bearings:

1. Remove dust cap
2. Remove cotter pin from the spindle and remove hub.
3. Check bearings for grease.
4. Replace hub and nut. Tighten the nut until there is a slight drag on the bearing while turning the wheel.
5. Loosen the nut one slot and reinsert the cotter pin.
6. Following this adjustment there should be a slight amount of drag on the bearing.
7. Replace the dust cap.

Wheel Bearing Lubrication:

Pack wheel bearings every six months or as needed with S.A.E. multi-purpose grease.

Battery (If Applicable):

Check the battery water level monthly, the water level should be ½” from the top, refill with distilled water.

Fifth Wheel Steering:

Check the steering assembly daily, ensure that the tow bar pin assembly and cotter pin are securely fastened to the lower fifth wheel box. Also make sure that the 5th wheel pivot bolt is tightened and pinned correctly. Lubricate the Friction Plate every six months or as needed.



**FSC-300 & FSC-550
Maintenance and Overhaul**

**WARNING:
FAILURE TO ENSURE THAT THE TOW BAR PIN IS SECURED COULD LEAD
TO LOSS OF STEERING AND CONTROL OF THE UNIT.**

**WARNING:
FAILURE TO ENSURE THAT THE 5TH WHEEL PIVOT PIN IS SECURED COULD LEAD TO
LOSS OF STEERING AND CONTROL OF THE UNIT.**

Brake Adjustment:

Periodic adjustment of the brake is needed to assure proper operation.

1. Raise the tongue so that the tow bar is at a 45° angle.
2. With the tongue in this position, check the rub brake, the rub brake should just engage the tires.
3. If the rub brake is not properly adjusted, adjust the drag link so that the rub brake just engages the tire. To adjust the drag link loosen the lock nuts and adjust the threaded rod accordingly, then retighten the lock nuts against the brake yoke.

Disinfecting System

The FSC tank and supply system must be properly cleaned prior to being placed into service. The tank and system of the FSC should also be cleaned & disinfected when repairs have been made to the tank or supply lines or if there is evidence of contamination.

1. Drain tank and supply lines.
2. Inspect tank and filter for contaminants.
3. Clean and flush system.

Daily Check List:

1. Check tire inflation.
2. Check lug nuts.
3. Check braking system.
4. Check 5th wheel area.
5. Check for leaks in tank(s), containment tank(s) and delivery systems.
6. Check for unusual noises while in operation.



FSC-300 & FSC-550 Troubleshooting

1. If brakes do not engage or disengage?
 - Check the brake yoke bar adjustment.
 - Check for bent or broken parts.
2. If the steering on the unit will not turn?
 - Check to ensure the brake is not engaged.
 - Check the 5th wheel pivot bolt for over tightness.
 - Check tires, rims & spindles for damage.
3. If the unit pulls one way?
 - Check the tire pressure.
 - Check for bent or damaged tire, rim or spindle.
 - Check spindle bearing.
4. If the parking break tongue will not stay up?
 - Check tow bar latch and latch bar for excessive wear.
 - Check parking break adjustment.
5. If unit will not pump?
 - Make sure that hand pump is rotated in clockwise direction.
 - Check fluid level in FSC tank.
 - Check to ensure all valves are opened.
 - Check the fill hose for kinks or blockage.
6. If pump motor will not run?
 - Check for current to motor.
 - Refer to motor manufacturers instructions.
7. If meter does not work properly?
 - Check to ensure fluid is being pumped.



FSC-300 & FSC-550 Illustrated Parts List

The illustrated parts list contains a breakdown of the Fuel Service Carts. All parts contained in the Fuel Service cart that can be disassembled, repaired, manufactured, replaced or reassembled are listed.

Each sketched assembly is followed immediately by its detailed parts list.

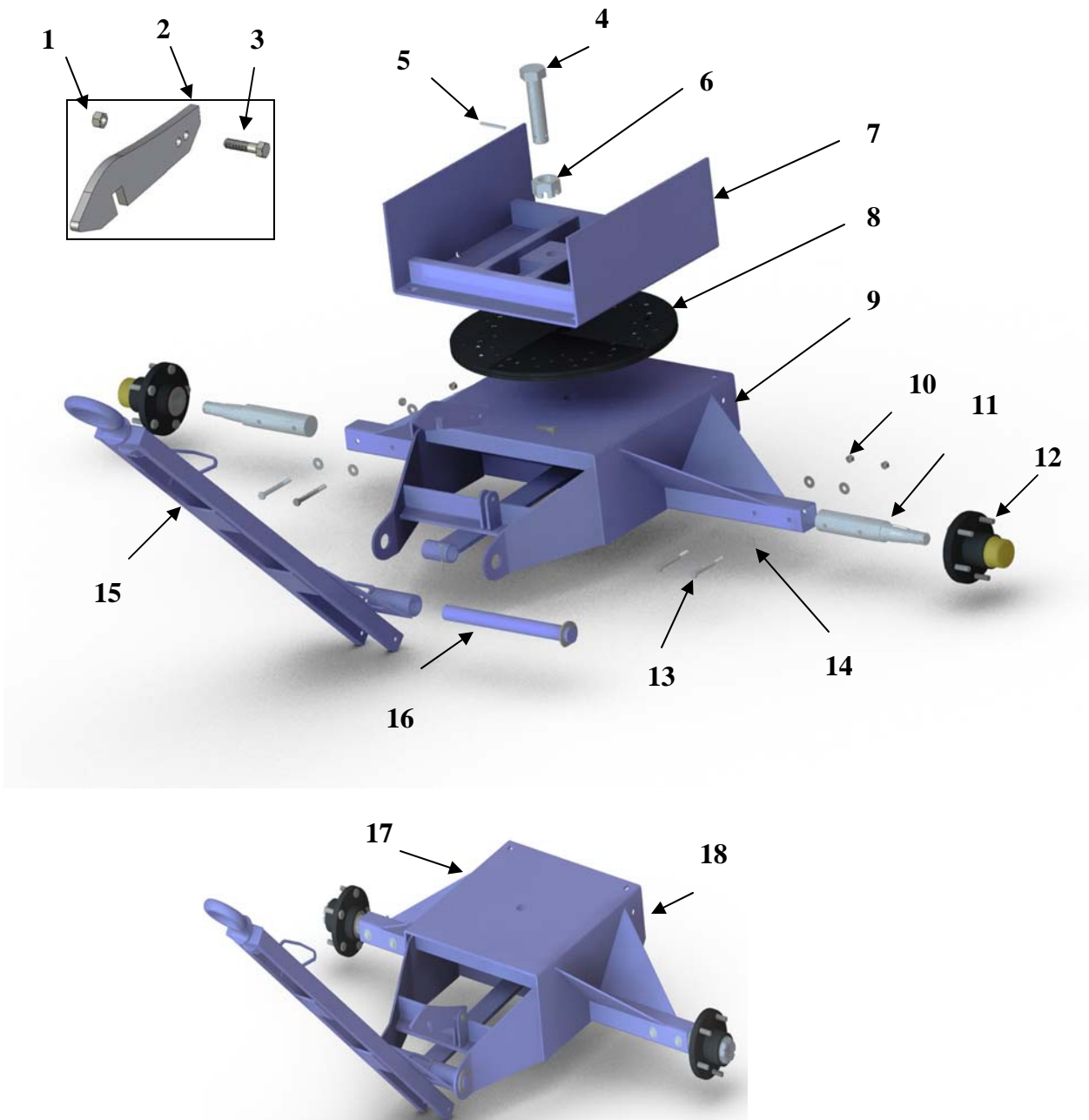
Item Number Column: The figure and index numbers key the detailed parts list to the applicable illustration.

Part Number Column: This column contains the manufacturer's part numbers.

All parts listed on the following pages are available through Par-Kan Company.



FSC-300 & FSC-550 LOWER 5TH WHEEL STANDARD AXLE ASSEMBLY (BEARING)



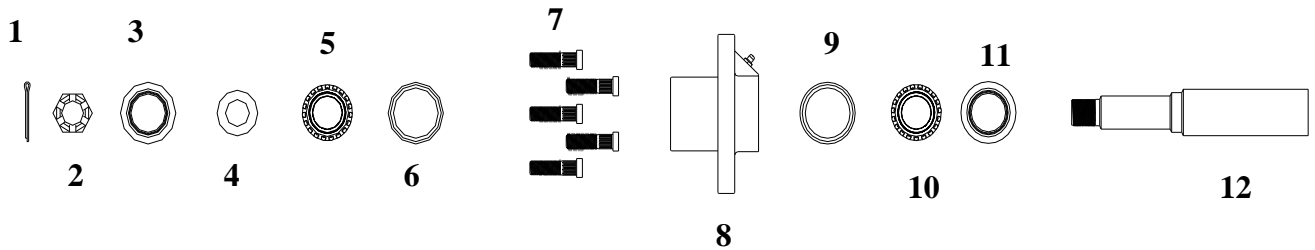


FSC-300 & FSC-550 LOWER 5TH WHEEL STANDARD
AXLE

Item No.	Part Number	Description
1	216507	LOCKNUT, 3/8"-16 HEX 2-WAY - ZINC
2	CBC510-2P500	LATCH, TOW BAR
3	211061	HHCS, 3/8"-16 X 1-1/2" GR5 ZINC
4	CBC510-2P600	5TH WHEEL BOLT
5	210104	ROLL PIN, 3/8" X 2-1/2" (SPRING PIN)
6	216220	NUT, 1-1/4"-12 SLOTTED HEX - PLAIN
7	CBC510-2W035	UPPER 5TH WHEEL WELDMENT
8	241197	TURNTABLE, LAMINATED W/3/4" CHROME BALLS
9	CBC510-2W015	LOWER 5TH WHEEL WDMT, FAFP
10	216507	LOCKNUT, 3/8"-16 HEX 2-WAY ZINC
11	241000	SPINDLE, "STANDARD" GSE
12	241027	HUB ASSY. "TORSION" 5 BOLT 4 1/2" GSE
13	211069	HHCS,3/8"-16 X 3 1/2" GR5 ZINC
14	217003	WASHER, 3/8" USS FLAT ZINC
15	270510	TOWBAR
16	CBC510-2W014	TOW BAR PIN WELDMENT
17	CBC480-2S015	COMPLETE ASSEMBLY 4X8 (FSC-300)
18	CBC510-2S015	COMPLETE ASSEMBLY 5X10 (FSC-550, FSC-300X2)



FSC-300 & FSC-550 Spindle & Hub Assembly

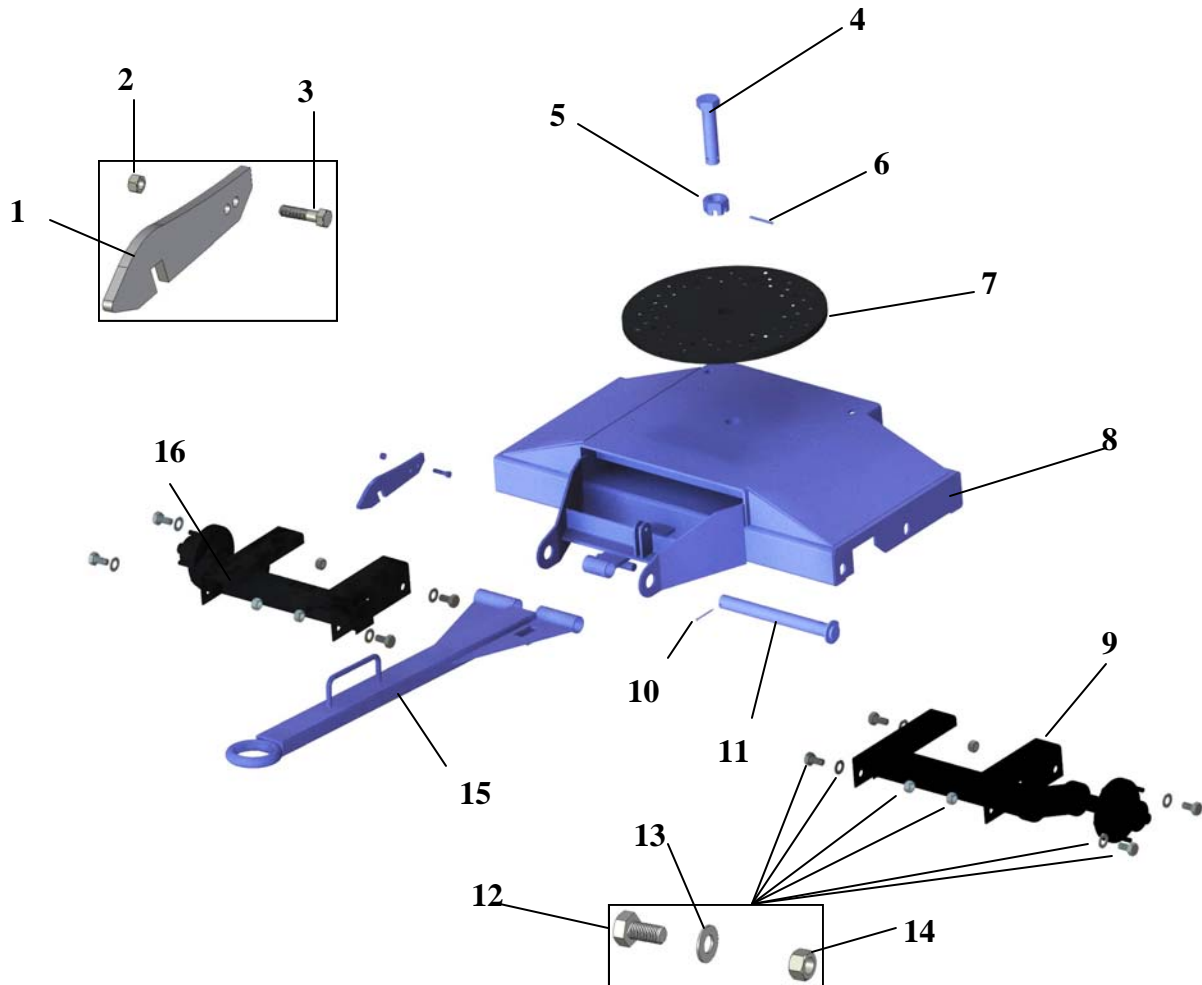


Key #	Part Number	Description
1	241108	Cotter Pin
2	241107	Spindle Nut
3	241109	Dust Cap
4	241106	Washer with D shaped hole
5	241105	Outer Bearing
6	241104	Outer Cup
7	241103	Lug Bolt
8	241025	Hub Assembly (Includes part numbers 1-11)
9	241102	Inner Cup
10	241101	Inner Bearing
11	241100	Grease Seal
12	241000	Spindle
**	219023	Lug Nut (bag of 20 nuts)

** Not included in the illustration



FSC-550 LOWER 5TH WHEEL TORSION AXLE
ASSEMBLY (BEARING)



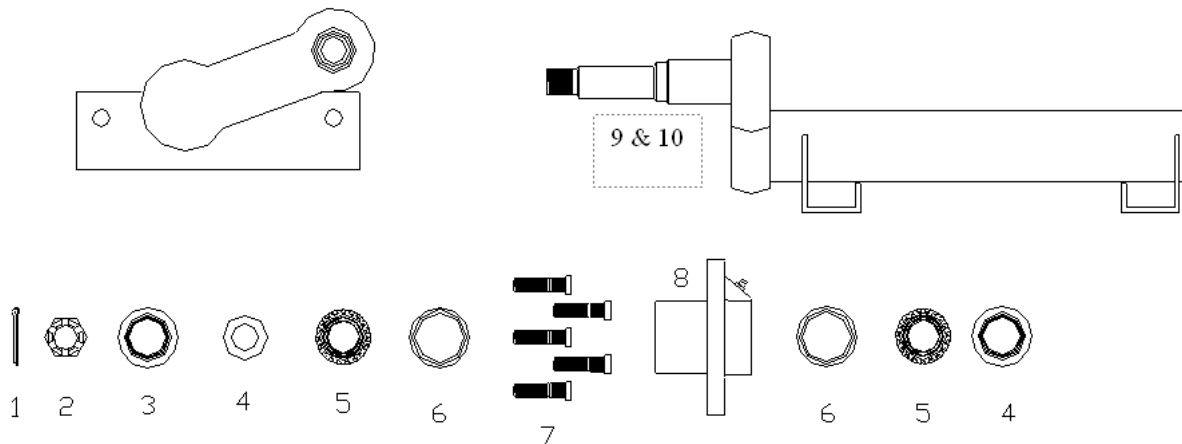


FSC-550 LOWER 5TH WHEEL TORSION AXLE
ASSEMBLY (BEARING) PARTS LISTING

Item No.	Part Number	Description
1	CBC510-2P500	LATCH, TOW BAR
2	216507	LOCKNUT, 3/8"-16 HEX 2-WAY - ZINC
3	211061	HHCS, 3/8"-16 X 1-1/2" GR5 ZINC
4	CBC510-2P600	5TH WHEEL BOLT
5	216220	NUT, 1-1/4"-12 SLOTTED HEX - PLAIN
6	210104	ROLL PIN, 3/8" X 2-1/2" (SPRING PIN)
7	241197	TURNTABLE, LAMINATED W/3/4" CHROME BALLS
8	CBC510-2W012	LOWER 5TH WHEEL WELDMENT (BEARING)
9	241021	TORSION STUB AXLE ASSY (LH)
10	210155	COTTER PIN, 3/16" X 2" - ZINC
11	CBC510-2W014	TOW BAR PIN WELDMENT
12	211159	HHCS, 5/8"-11 X 1-1/4" GR5 ZINC
13	217007	WASHER, 5/8" USS FLAT ZINC
14	216515	LOCKNUT, 5/8"-11 HEX 2-WAY - ZINC
15	CBC510-2W040	TOW BAR WELDMENT
16	241022	TORSION STUB AXLE ASSY (RH)



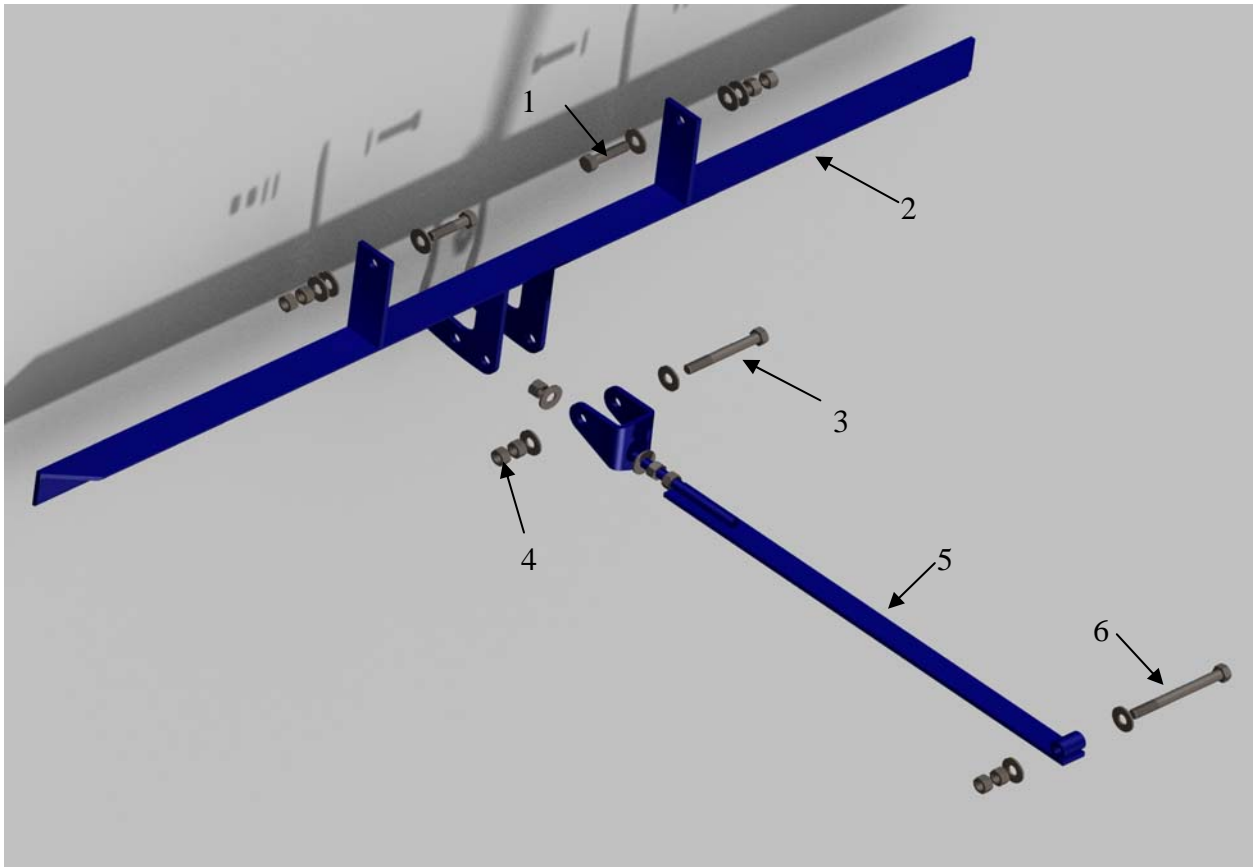
FSC-550 TORSION STUB AXLE PARTS LIST



Item No.	Part Number	Description
1	241108	COTTER PIN, SPINDLE /GSE
2	241117	NUT, SPINDLE "TORSION AXLE" GSE
3	241116	SEAL, "TORSION" HUB / GSE
4	241120	WASHER, SPINDLE "TORSION" GSE
5	241119	BEARING, INNER/OUTER "TORSION" GSE
6	241118	CUPS, "TORSION" 2,000# IDLER GSE
7	241103	LUG BOLT, PRESS-IN (GSE)
8	241027	HUB ASSY., "TORSION" 5 BOLT 4-1/2" GSE (# 1-8)
9	241019	TORSION STUB AXLE ASSY (LH) W/O HUB
10	241020	TORSION STUB AXLE ASSY (RH) W/O HUB



FSC-300 & FSC-550 Brake Bar Assembly



Key #	Part Number	Description
1	211117	HHCS, 1/2"-13 X 2" GR5 Zinc
2	CBC480-1W001	FSC300 BRAKE BAR
	L250LP-1W000	FSC-550, FSC-300X2 BRAKE BAR
3	211124	HHCS, 1/2"-13 X 4" GR5 Zinc
4	216511	Locknut, 1/2"-13 HEX 2-Way-Zinc
5	L250LP-1W001	Brake Adjustment Bar
6	211127	HHCS, 1/2"-13 X 5" GR5 Zinc



**Final Assembly
(FSC-300 Shown)**





CHAPTER 3 - FINAL ASSEMBLY

Detailed Parts List from Figure 1

ITEM NUMBER	Model	PART NUMBER	PART DESCRIPTION
1	FSC-300 FSC-500	220548	PUMP, FILL RITE ROTARY HAND FR110
2	FSC-300 FSC-500	220612	METER, FUEL / FLOW 100 GAL RESET
3	FSC-300 FSC-500	220607	Cartridge, Fuel Filter
4	FSC-300	220750RPD	TANK DIESEL, 300GAL.SKID NON-UL FINISHED
	FSC-300	220750RPG	TANK GAS, 300 GAL.SKID NON-UL FINISHED
	FSC-550	220751RPD	TANK DIESEL, 550GAL.SKID NON-UL FINISHED
	FSC-550	220751RPG	TANK GAS, 550GAL.SKID NON-UL FINISHED
5	FSC-300 FSC-550	221383	PLUG, 2" GALV.
6	FSC-300 FSC-550	220775 220777	FIRE EXTINGUISHER, 10 LB 4A:60B:C FIRE EXTINGUISHER, PURPLE K 60B:C
7	ALL		Call for correct tire sizes and options
***	FSC-300 FSC-500	220755 220756	WELD RING, 12" X 16" PERSONEL ACCESS (not shown) PERSONNEL ACCESS, 12" X 16"



FSC-300 & FSC-550 TANK WITH PLACEMENT PARTS

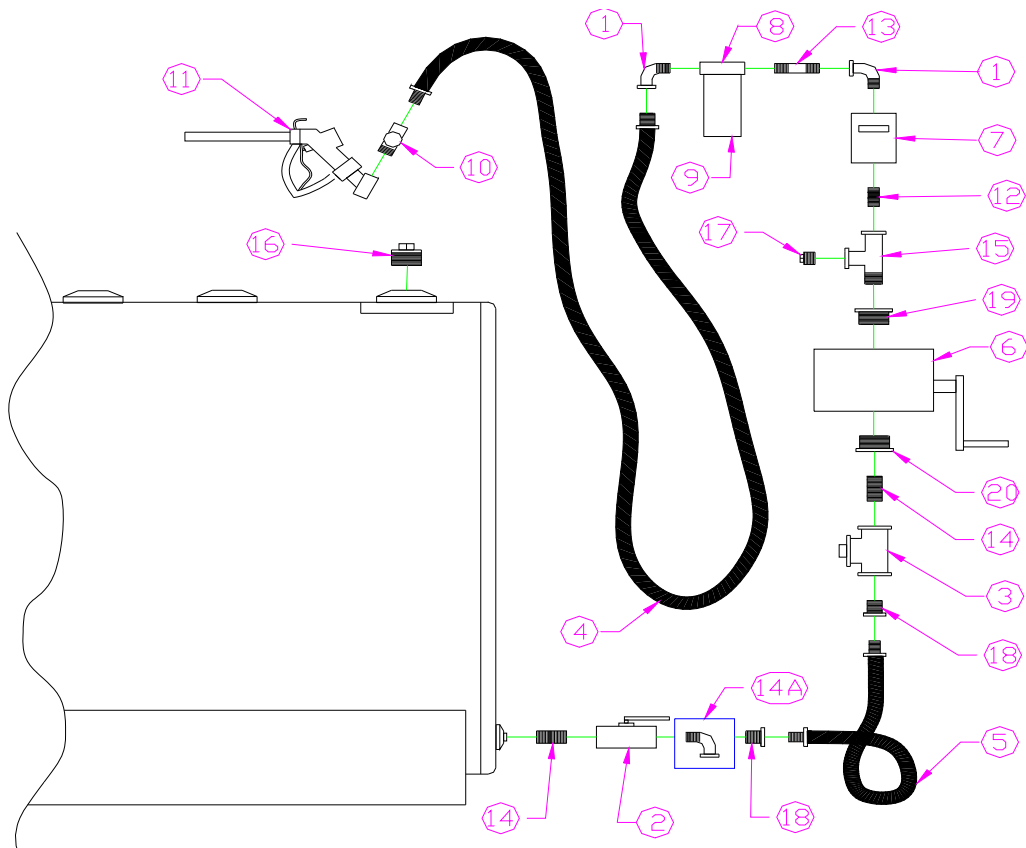


ITEM NUMBER	Model	PART NUMBER	PART DESCRIPTION
1	FSC-300 FSC-550	220557	PUMP, FUEL-12VDC / 15 GPM
	FSC-300x2	220557	PUMP, FUEL-12VDC / 15 GPM
2	FSC-300 FSC-550	220449	FUNNEL, SAFETY
	FSC-300x2	220449	FUNNEL, SAFETY
3	FSC-300	220470	GAUGE, FUEL LEVEL-300 GAL (TOP MOUNT)
	FSC-550	220472	GAUGE, FUEL LEVEL-550 GAL (TOP MNT)
4	FSC-300	220755	WELD RING, 12" X 16" PERSONEL ACCESS (not shown)
	FSC-500	220756	PERSONNEL ACCESS , 12" X 16"
5	FSC-300 FSC-550	220402	2" VENT/CHECK/FILL CAP

FUEL SERVICE CART

FSC-300 & FSC-550

PLUMBING DIAGRAM (STANDARD)

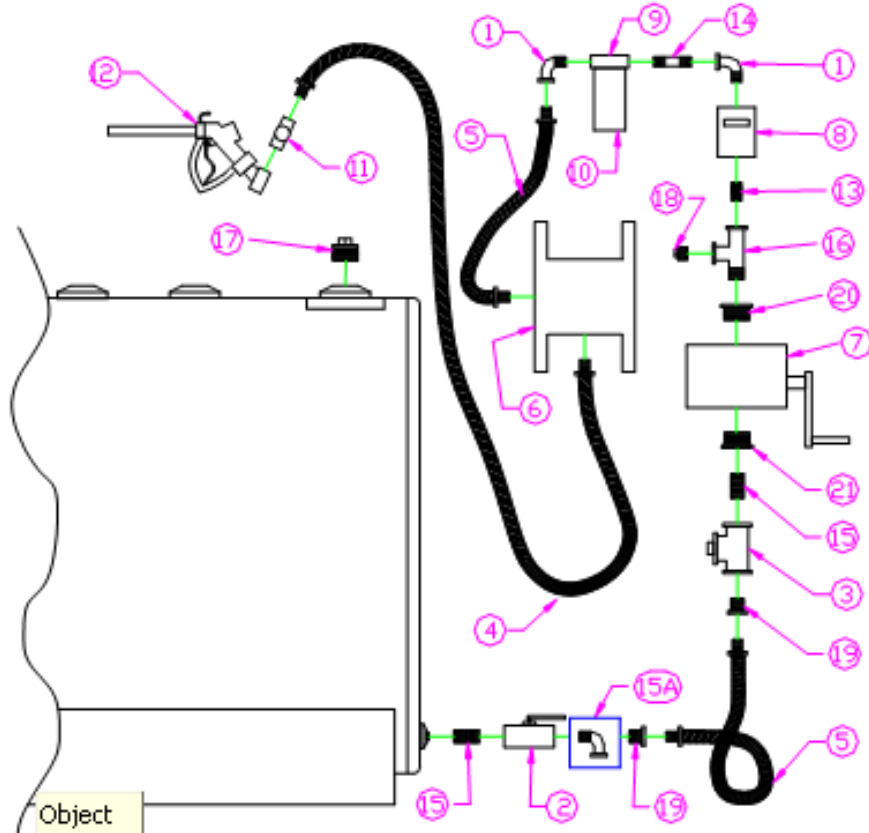


Item	Part #	Description	QTY.
1	211179	Elbow, 3/4"-90 Deg. Street Galv.	2
2	220204	Valve, 1" Ball / Brass	1
3	220210	Check Valve, 1" NPT Brass	1
4	220305	Hose, Fuel 3/4" X 12' - UL APPROVED	1
5	220311	Hose, Fuel 3/4" X 26"	1
6	220548	Pump, Fuel—Hand Operated -Rotary	1
7	220601	Meter, Fuel / Flow 100 Gal Reset	1
8	220606	Filter head, Fuel 3/4" Inlet & Outlet	1
9	220607	Cartridge, Fuel Filter—Spin	1
10	220620	Swivel, 3/4" "All-Plane" Fuel Hose	1
11	220625	Nozzle, Fuel—3/4" NPT (Leaded)	1
12	221050	Nipple, 3/4" Close Galv.	1
13	221054	Nipple, 3/4" X 3" Galv.	1
14	221065	Nipple, Galv. 1" X Close	1
14A	221180	Elbow, 1"-90 degree Street Galv.	2
15	221279	Street Tee, 3/4" Galv.	1
16	221383	Plug, 2" Galv.	1
17	221389	Plug, 3/4" Hex Socket—Galv.	1
18	221411	Reducer Bushing, 1" x 3/4" Galv.	1
19	221419	Reducer Bushing, 2" x 3/4" Galv.	2
20	221420	Reducer Bushing, 2" x 1" Galv.	1

FUEL SERVICE CART

FSC-300 & FSC-550

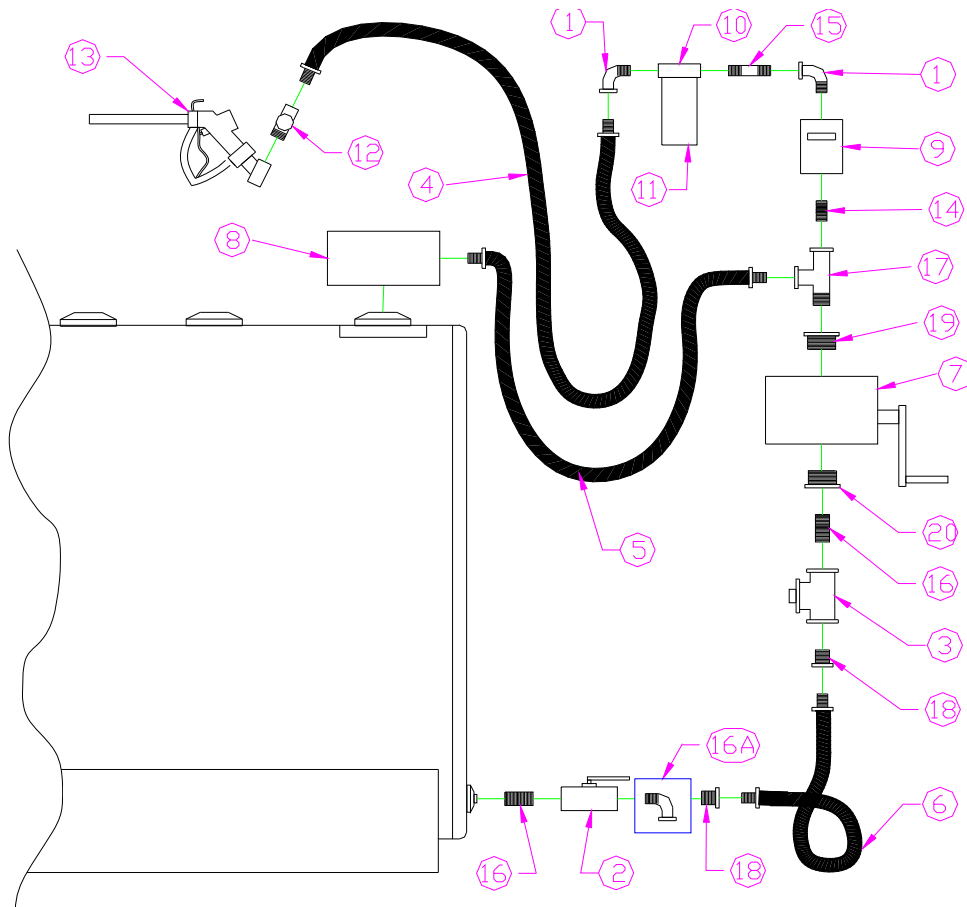
PLUMBING DIAGRAM WITH HOSE REEL OPTION



Item	Part #	Description	QTY.
1	211179	Elbow, 3/4"-90 Deg. Street Galv.	2
2	220204	Valve, 1" Ball / Brass	1
3	220210	Check Valve, 1" NPT Brass	1
4	220305	Hose, Fuel 3/4" X 12' - UL APPROVED	1
5	220311	Hose, Fuel 3/4" X 26"	2
6	220432	Hose Reel—Manual (FSC) 50	1
7	220548	Pump, Fuel—Hand Operated—Rotary	1
8	220601	Meter, Fuel / Flow 100 Gal Reset	1
9	220606	Filter head, Fuel 3/4" Inlet & Outlet	1
10	220607	Cartridge, Fuel Filter—Spin	1
11	220620	Swivel, 3/4" "All-Plane" Fuel Hose	1
12	220625	Nozzle, Fuel—3/4" NPT (Leaded)	1
13	221050	Nipple, 3/4" Close Galv.	1
14	221054	Nipple, 3/4" X 3" Galv.	1
15	221065	Nipple, Galv. 1" X Close	2
15A	221180	Elbow, 1"-90 degree Street Galv.	1
16	221279	Street Tee, 3/4" Galv.	1
17	221383	Plug, 2" Galv.	1
18	221389	Plug, 3/4" Hex Socket—Galv.	1
19	221411	Reducer Bushing, 1" x 3/4" Galv.	2
20	221419	Reducer Bushing, 2" x 3/4" Galv.	1
21	221420	Reducer Bushing, 2" x 1" Galv.	1

FUEL SERVICE CART

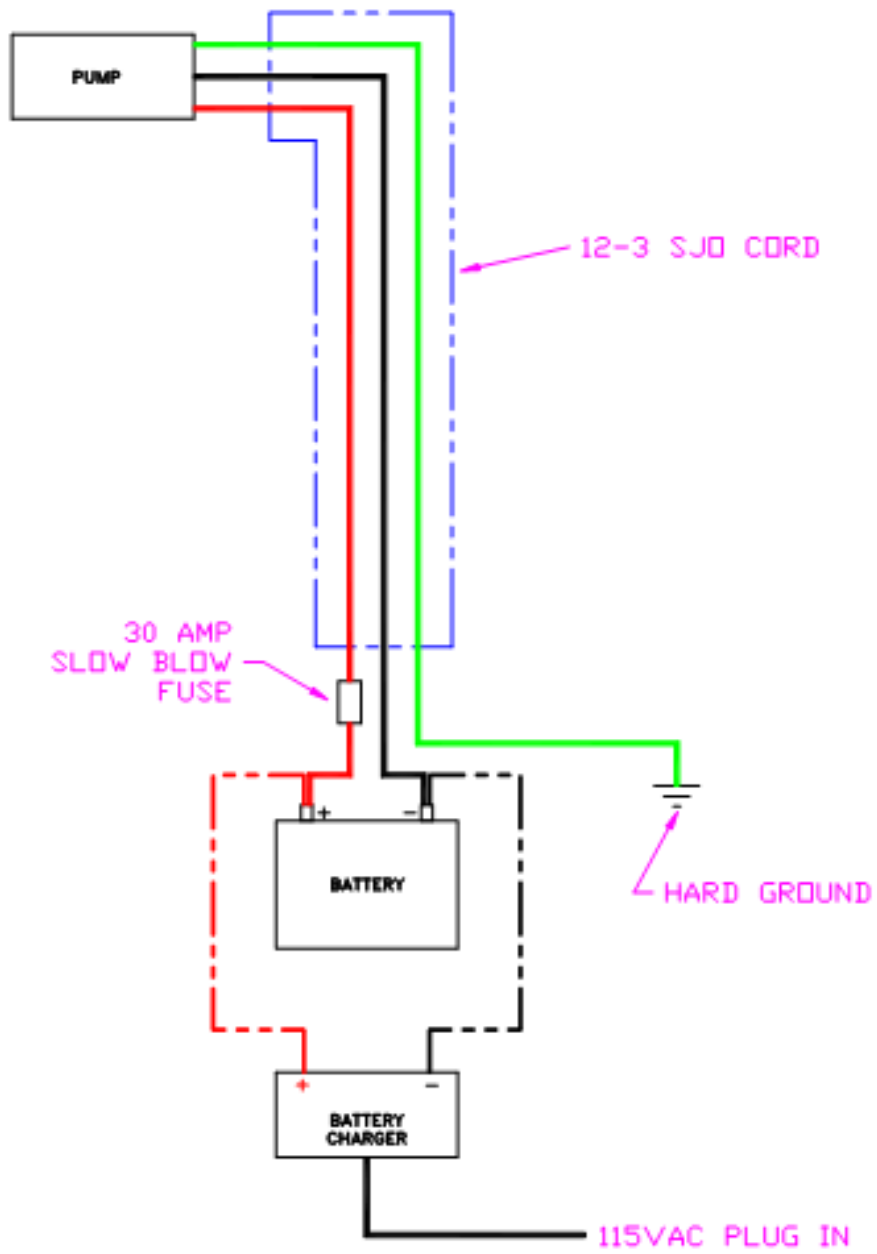
FSC-300 & FSC-550



Item	Part #	Description	QTY.
1	211179	Elbow, 3/4"-90 Deg. Street Galv.	2
2	220204	Valve, 1" Ball / Brass	1
3	220210	Check Valve, 1" NPT Brass	1
4	220305	Hose, Fuel 3/4" X 12' - UL APPROVED	1
5	220310	Hose, Fuel 3/4" X 42"	1
6	220311	Hose, Fuel 3/4" X 26"	1
7	220548	Pump, Fuel—Hand Operated—Rotary	1
8	220557	Pump, Fuel-12 Volt / 15 GPM	1
9	220601	Meter, Fuel / Flow 100 Gal Reset	1
10	220606	Filter head, Fuel 3/4" Inlet & Outlet	1
11	220607	Cartridge, Fuel Filter—Spin	1
12	220620	Swivel, 3/4" "All-Plane" Fuel Hose	1
13	220625	Nozzle, Fuel—3/4" NPT (Leaded)	1
14	221050	Nipple, 3/4" Close Galv.	1
15	221054	Nipple, 3/4" X 3" Galv.	1
16	221065	Nipple, Galv. 1" X Close	2
16A	221180	Elbow, 1"-90 degree Street Galv.	1
17	221279	Street Tee, 3/4" Galv.	1
18	221411	Reducer Bushing, 1" x 3/4" Galv.	2
19	221419	Reducer Bushing, 2" x 3/4" Galv.	1
20	221420	Reducer Bushing, 2" x 1" Galv.	1



FSC-300 & FSC-550 12VDC WIRING DIAGRAM





FSC-300 & FSC-550 DECAL LIST

PART NUMBER	DESCRIPTION
250020	DECAL, GREASE HERE
250024	DECAL, MAX TOW SPEED 15MPH
250026	DECAL, SET BRAKES
250028	DECAL, "DANGER FLAMMABLE
250029	REFLECTOR, 3" ROUND (RED)
250030	REFLECTOR, 3" ROUND (AMBER)
250080	REFLECTIVE TAPE- RED/WHITE 2" (DOT)
250209	DECAL, GASOLINE
250205	DECAL, DIESEL FUEL
250210	DECAL, WARNING-STATIC GROUND
250000	DECAL, "PAR-KAN" 6-1/4" X 4-1/2"



Par-Kan Company
2915 West 900 South
Silver Lake, IN 46982

Phone: 1-800-291-5487
Phone: 260-352-2141
Fax: 260-352-0701

Contact: Sales Department
E-mail: GSESales@par-kan.com
Website: www.par-kan.com