

PWC
75 & 120 GALLON
POTABLE WATER CART
Model Year: 2008



***** Important *****
Read User's Manual Completely Prior to Operating, Towing, or Servicing Cart

Par-Kan Company
2915 West 900 South
Silver Lake, IN 46982



Phone: 1-800-291-5487
Phone: 260-352-2141
Fax: 260-352-0701

E-mail: GSESales@par-kan.com
Website: www.par-kan.com



PWC 75 & 120

Model: _____

Customer: _____

Serial #: _____

Manufacturing Date: _____



PWC 75 & 120 Manual Table of Contents

Page 1	Cover Page
Page 2	Unit Information
Page 3	Table of Contents
Page 4	Manual Introduction
Page 5	Warranty
Page 6	General Information
Page 7	Specifications and Capabilities
Page 8	Safety Precautions
Page 9	Operating Instructions
Page 10	Maintenance / Overhaul
Page 11	Troubleshooting
Page 12	Illustrated Parts Listing
Page 13-14	5th Wheel Assembly
Page 15-16	PWC 75 & 120 Electrical System
Page 17-18	Plumbing System
Page 19-20	Decal Package

Note: This manual supersedes any other information supplied by Par-Kan Company before this date, and is good only for serial numbers listed in the manual.



PWC 75 & 120 Manual Introduction

This manual incorporates information for Par-Kan Company's Ground Support Equipment Division Potable Water carts, model PWC 75 & 120 and includes general information, operation, maintenance, overhaul and illustrated parts lists. This manual replaces all Par-Kan Company's PWC 75 & 120 manuals previously issued.

If any errors or misinformation are found within the manual, please submit a written request to the manufacture. If any errors or misinformation are found, change requests should be submitted in writing to the manufacturer.

Any questions regarding this product or need additional information about Par-Kan Company's Ground Support Equipment, please contact the manufacturer at:

Par-Kan Company
Ground Support Equipment Division
P.O. Box 219
2915 West 900 South
Silver Lake, IN 46982
(260) 352-2141 (260) 352-0701 Fax



Par-Kan Company – Ground Support Equipment
PWC 75 & 120 Warranty

Par-Kan Company's Ground Support Equipment is warranted to the original purchaser to be free from defects in material and workmanship for a period of one year from the date of purchase as dated on Par-Kan's original invoice.

Par-Kan will replace any warranted parts proving to be defective in material and/or workmanship under normal installation, operation, or service pending an examination by an authorized representative of Par-kan. All parts must be returned, and any transportation charges must be prepaid to Par-kan. Any changes to Par-Kan equipment as a result of modifications, misuse, abuse, neglect, accident, vandalism, fire, flood, other acts of God, or improper installation will void this warranty.

If Par-Kan receives notice of any defect(s) during the warranty period, Par-Kan will, at its discretion, repair or replace the product(s) which prove to be defective. Other manufacturer's warranties may apply for parts purchased by Par-Kan. Par-Kan Company does not issue any other warranty, either expressed or implied, with respect to this product. Any special, incidental, or consequential damages arising from any breach of warranty are specifically excluded hereunder.



PWC 75 & 120 General Information

Steering:	Ball Bearing Turntable Steering
Rear Wheels:	5 Bolt hub assembly with bearings (1,750 lb. load capacity each) Removable Spindles: 1-3/4" diameter
Tires:	4.00 x 8.00 Pneumatic (Front Tires) 5.70 x 8.00 Pneumatic (Rear Tires)
Front Wheel:	6" Bolted Rim Tire: 4.80 x 8.00
Parking Brakes:	Tow bar activated friction brake
Tow Bar:	2-1/2" I.D. tow bar lunette ring 5 Ton capacity
Finish:	Powder Coated White
Reflectors:	3" Diameter (Amber / Red) D.O.T. approved
Location:	Front, Rear, and Sides
Cart Design:	Main Frame: 2" x 2" x 3/16" Tube steel Shell: 14ga steel
Tank Design:	Poly Tanks
Options:	12V Reversible Pump Stainless Steel Shell



PWC 75 & 120 Specifications and Capabilities

Dimensions:

Length: 105"
Width: 46"
Height: 41-1/2"

Empty Weight: (Approx.) 853 lbs.

Tank Capacity:

PWC 75	
Water	75 U.S. Gallons
PWC 120	
Water	120 U.S. Gallons

Flow Rate:

12V Electric Pump	7.5 g.p.m.
12V Reversible Pump	4 g.p.m.

Speed Limit:

Towing speed should not exceed 15 mph.



PWC 75 & 120 Safety Precautions

TOWING:

The PWC cart is designed for aircraft ramp use only; it is not intended for highway or off-road use. Towing speed should not exceed 15mph. When traveling over rough surfaces or making sharp turns, speeds should be reduced to ensure safety.

PARKING:

When unit is parked, tow bar should be latched in the upright position to engage the parking brake. If unit is disengaged from tow vehicle, parking brake must be engaged to prevent potential harm to bystanders or the cart.

OPERATING:

When moving unit by hand proceed with caution, especially in wet conditions. Do not leave cart unattended without being connected to a tow vehicle, or engaging parking brake. Do not exceed the carts capacity, (listed in the specifications).



PWC 75 & 120 Operating Instructions

1. Prior to moving the unit, check to ensure that all hoses are secure, access doors and hatches are closed, and the unit is disconnected from the power source
2. Disengage the Parking Brake by:
 - Push the tow bar back towards the unit
 - Lift up the brake latch with your foot
 - The brake will release as the tow bar is lowered into a horizontal position.
 - **Do not drop the tow bar**
3. With the parking brake disengaged, attach the tow bar to the towing vehicle. The tongue should be securely attached to the tow vehicle to ensure the unit does not disconnect from the tow vehicle.
4. Tow the unit to the desired location (**Do not exceed 15mph**) Turn the tow vehicle engine off and set the parking brake.
5. To Remove the filler coupler, grasp the cap in your left hand and the coupler in your right hand and turning each in opposite directions. (**Make sure to point the coupler away from your body when removing the cap in case the hose is under pressure**)
6. Connect the filler hose to the aircraft and open ball valve on filler hose.
7. Turn and hold the power switch to the ON position. Now dispense the desired amount of water.
8. When dispensing of water is complete release the power switch.
9. Close ball valve on the filler hose and remove the hose from aircraft.
10. Replace cap back on the filler coupling and store filler hose in rear compartment.
11. Check that all hoses are secure and all access doors and hatches are closed prior to towing the unit.
12. Once the cart is parked in the designated parking area you will need to set the parking brake.
13. Engage the parking brake by:
 - Push tow bar towards the unit until the brake latches.
14. When the tow bar is in the upright position and latched, the parking brake is engaged. (**If the tire air pressure is inadequate, brake may not engage properly and should be removed from service**)
15. Plug the unit back into the power source and check indicator light on right rear of unit to ensure charger is operating properly. (**During cold weather the unit MUST be plugged in**)



PWC 75 & 120 Maintenance / Overhaul

Maintenance:

Proper maintenance is an essential part of a long life for the PWC 75 & 120. As with any equipment the cart requires routine inspections, lubrications and adjustments to insure the unit is operating properly, while providing maximum protection for the equipment.

WARNING: Before removing or installing any components, be sure the trailer is on level ground with the wheels securely blocked.

Wheels and Tires:

FRONT:

Check tightness of bolt and lubricate regularly.

REAR:

Check tire pressure weekly. The recommended pressure is labeled on the tire.

Check and adjust wheel bearings during the first few days of operation.

To tighten wheel bearings:

Remove dust cap

Remove cotter pin from the castle nut and tighten the nut until there is a slight drag on the bearing while turning the wheel.

Loosen slot nut and reinsert cotter pin.

Following this adjustment should be a slight amount of drag on the bearing.

Replace dust cap.

Wheel Bearing Lubrication:

Pack wheel bearings every 6 months or as needed with S.A.E. multi-purpose grease.

Brake Adjustment:

Improper tire pressure and tire wear can affect brake adjustment. Check weekly.

Battery

Maintenance Free.

FIFTH WHEEL STEERING

Check the steering assembly daily; ensure that the tow bar pin assembly and nut are securely fastened to the lower fifth wheel box.

WARNING: FAILURE TO ENSURE THE PIN IS SECURED COULD LEAD TO LOSS OF STEERING AND CONTROL OF THE UNIT!



PWC 75 & 120 Troubleshooting

1. If the brake does not engage or disengage?
 - Check the air pressure in the tire
 - Check the condition of the brake
2. If the steering on the unit will not turn?
 - Check to ensure the 5th wheel is lubricated
 - Check the condition of the 5th wheel box
3. If the unit pulls one way?
 - Check the tire pressure and bearings
4. If the parking brake tongue will not latch in the up position?
 - Check the tow bar latch and latch bar for excessive wear
 - Check the parking brake adjustment
5. If the pump will not run?
 - Check the inline fuse and then ensure that all battery connections are secure
6. If the meter does not work properly?
 - Check to ensure fluid is being pumped
 - If fluid is flowing, stop pumping, and reset meter

For any addition questions, Please contact:

Customer Service

Phone: 1-800-291-5487

Phone: 260-352-2141

Fax: 260-352-0701

E-mail: GSESales@par-kan.com



PWC 75 & 120 Illustrated Parts Listing

The illustrated parts list contains a breakdown of the PWC 75 & 120. All parts contained in the Potable Water Carts that can be disassembled, repaired, manufactured, replaced or reassembled are listed on the following pages.

Each sketched assembly is followed immediately by its detailed parts list.

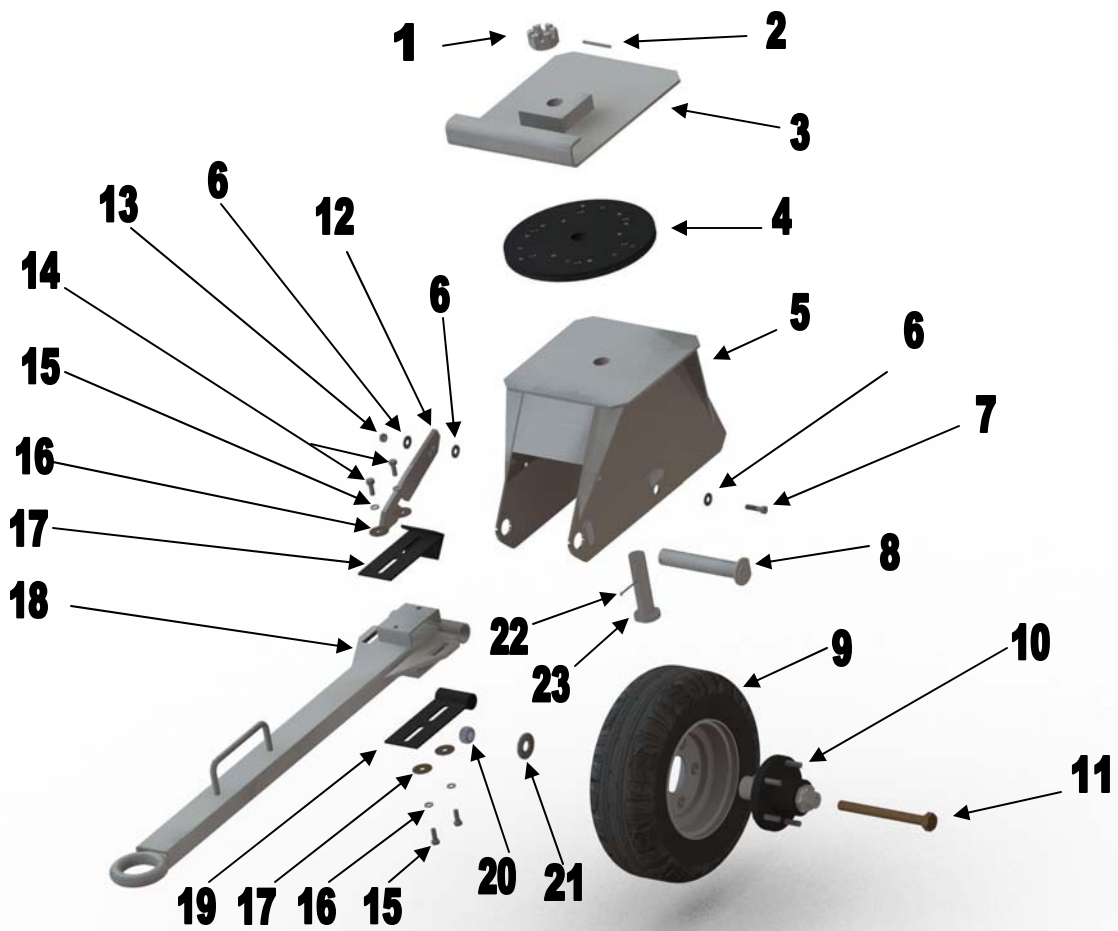
Item Number Column: The figure and index numbers key the detailed parts list to the applicable illustration.

Part Number Column: This column contains the manufacturer's and vendor's part numbers.

All parts listed on the following pages are available through Par-Kan Company. Any standard parts that are provided directly from vendors will be stated on the supplier list following the illustrated parts list.



PWC 75 & 120 5th Wheel Assembly



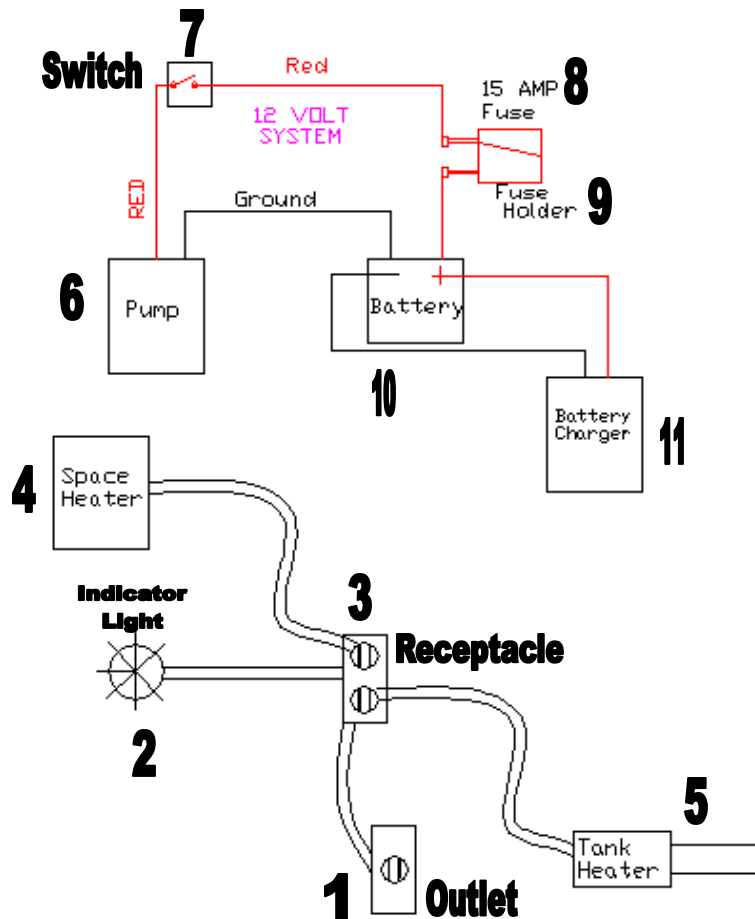


LVC-PWC, 75 & 120 5th Wheel Parts Listing

Key #	Part Number	Description
1	216220	Nut, 1 1/4"-12 Slotted Hex—Plain
2	210104	Roll Pin, 3/8" X 2 1/2" (Spring Pin)
3	BSC-2W035	Front Wheel Top Weldment
4	241195	Turntable, 11 1/2" Laminated w/3/4" Chrome Balls
5	BSC-2W015	Lower 5th Wheel Box Weldment
6	217003	WASHER, 3/8" USS FLAT ZINC
7	211061	HHCS, 3/8"-16 X 1-1/2" GR5 ZINC
8	BSC-2W044	TOW BAR PIN WELDMENT
9	241051	TIRE & RIM ASSY, 4.8 X 8.00
10	BSC-2A050	HUB ASSY.,5 BOLT 4 1/2" "STANDARD" GSE
11	214161	HHCS, 3/4"-10 X 8" GR8 ZINC
12	CBC510-2P501	LATCH, TOW BAR
13	216507	LOCKNUT, 3/8"-16 HEX 2-WAY ZINC
14	211058	HHCS,3/8"-16 X 1" GR5 ZINC
15	217359	WASHER 3/8 SPLIT LOCK ZINC
16	217210	3/8" FENDER WASHER
17	BCS-2W043	UPPER BRAKE PAD STOP
18	BSC-2W041	TOW BAR WELDMENT
19	BSC-2W042	LOWER BRAKE STOP
20	216518	NUT, 3/4" - 10 GR8 HEX 2-WAY—ZINC
21	217058	WASHER, 3/4" USS FLAT, PLAIN
22	210155	COTTER PIN, 3/16" X 2" ZINC
23	241195	TURNTABLE, LAMINATED W/3/4" CHROME BALLS
	L120-2S015	COMPLETE ASSEMBLY
	BSC-2W015	COMPLETE 5th WHEEL BOX WELDMENT



PWC 75 & 120 Electrical Diagram
115/120 Volt System



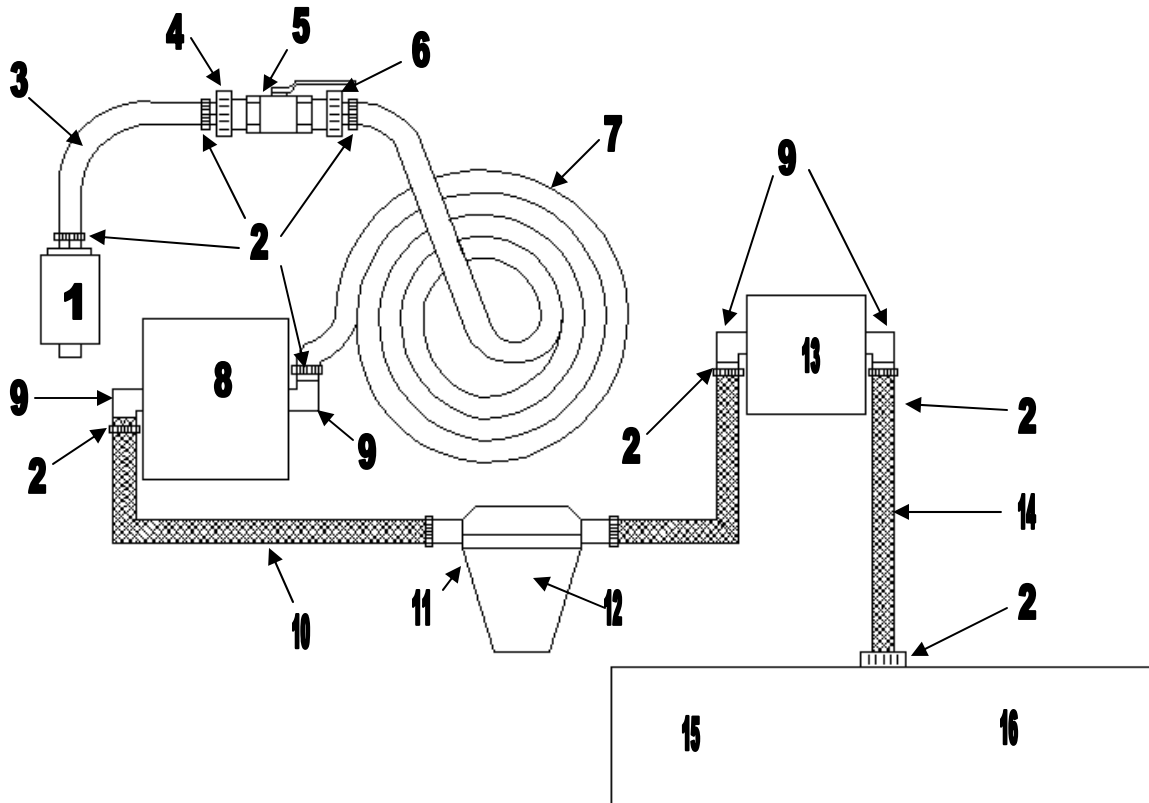


PWC 75 & 120 Electric Diagram Parts Listing
115/120 Volt System

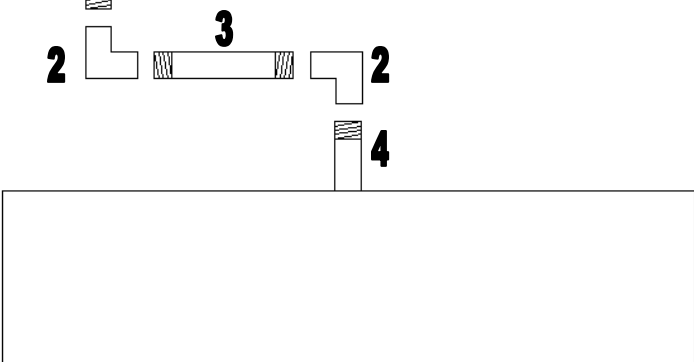
Key #	Part Number	Description
1	640050	Outlet, Duplex 15A/125V Grounded
2	640030	Indicator Light (Red)
3	630504	Receptacle, GFCI White 120 V. 20A. FD
4	640224	Heater, Electric Space 120 Volt AC
5	640228	Water Heater, 40 Gallon
	640229	Water Heater, 60 Gallon
6	220561	Pump, Water 12Volt W/press SW. (Flo-Jet)
7	640057	Switch, Weatherproof Momentary
8	670031	Fuse, ATC-15
9	670014	Fuse holder, weatherproof ATO/ATC Type
10	640226	Battery, 12 Volt Deep-Cell GR24 GSE
11	640251	Battery Charger, Auto 12 Volt / 1.5 Amp



PWC 75 & 120 Plumbing Diagram



1 Front Fill Port Diagram



Note: The Standard Unit will not have item #8 or #10 in the plumbing diagram.



PWC 75 & 120 Plumbing Parts Listing

Key #	Part Number	Description
#1	220657	Coupling, Lav. Water Serv.!" Ext Collar
#2	220353	Hose Clamp, 3/4" SS **6812**
#3	220302	Hose, 3/4" ID Reinforced PVC Clear 6"
#4	224024	Adapter, 3/4" NPT X 1" Barb-Poly
#5	220203	Valve, 3/4" Ball/Brass
#6	224021	Adaptor, 3/4" NPT X 3/4" Barb Nylon
#7	220301	Hose 3/4" ID Reinforced PVC (Clear) 144"
#8	220612	Meter, Nickel Plt. Ports, LVC / PWC Meter
#9	225035	Elbow, 1" NPT X 3/4" Bango 90 degree
#10	220301	Hose 3/4" ID Reinforced PVC (Clear) 18"
#11	220605	Filter Housing
#12	220604	Filter Cartridge
#13	220561	Pump, Water 12 V. W/Press. SW. (Flow jet)
#14	220301	Hose 3/4" ID Reinforced PVC (Clear) 8"
#15	P75-8W000	PWC 75 Water Tank
#16	220758	PWC 120 Water Tank

Fill Port Diagram

Key #	Part Number	Description
#1	220656	3/4" Quick Connect Male Adapter
#2	228054	Elbow 3/4" Brass 90 Degree
#3	228053	Nipple, Brass 3/4" X 4"
#4	228055	3/4" X 2" Brass
#5	220401	Vent Cap 2" Drum Vent PVC



PWC 75 & 120 Decal Package

1
POTABLE WATER SERVICE

2 **FILL HOSE COMPARTMENT**
250042
OPEN FILL VALVE BEFORE USE
3 **CLOSE FILL VALVE AFTER USE**
250044

INSTALL FILL CAP
4 **AFTER USE** 250038

5
CHARGER HEATER
250040

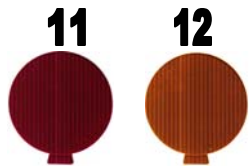


7 **REFILL LEVEL**



9
SET BRAKE → 250026

10
DO NOT RUN PUMP DRY
250025



13
MAX. TOW SPEED
15 M.P.H.
250024

14
CAUTION
• Personal injury or property damage may occur from improper use.
• Read and understand operators manual before using this equipment.
• Phone 800 291-5487 for replacement manual. Part No. 250083

15 **METER BATTERY/CHARGER COMPARTMENT**

16
NO STANDING ON TANK





PWC 75 & 120 Decal Parts Listing

Key #	Part Number	Description
1	250045	Decal, Portable Water Service
2	250042	Decal, Fill Hose Compartment
3	250044	Decal, Open Before / Close After Use
4	250038	Decal, Install Fill Cap After Use
5	250040	Decal, Charger / Heater
6	250069	Decal, Par-Kan Company
7	250021	Decal, Refill Level
8	250250	Decal, Made in the U.S.A
9	250026	Decal, Set Brake
10	250022	Decal, Do Not Run Pump Dry
11	250029	Reflector, 3" Round Red
12	250030	Reflector, 3" Round Amber
13	250024	Decal, Max To Speed 15 mph
14	250063	Decal, Caution – Operators Manual
15	250037	Decal, Meter / Battery / Charger Compartment
16	250035	Decal, No Standing On Tank
17	250020	Decal, Grease Here